

PoE-10

Single-port Power over Ethernet Injector

PoE-80

8-port Power over Ethernet Hub



ZyXEL's Power over Ethernet solutions deliver a unified supply of data, voice, and video as well as electrical power through a single source by sending power over standard Category 5 and above twisted pair cables. Power over Ethernet simplifies installation and eliminates the need to run separate power cords and LAN cables to each Access Point or port location. ZyXEL Power over Ethernet solutions enhance the reliability of Ethernet devices such as wireless LAN Access Points, Web Cameras and IP Phones.

Power over Ethernet streamlines wireless infrastructure deployment and lowers cost. Whether on a factory floor or in an enterprise facility, running power to difficult to reach locations with ZyXEL's Power over Ethernet solutions significantly reduce cabling and outlet requirements while providing the lowest total cost of ownership.

PoE-10

Single-port Power over Ethernet Injector

The ZyXEL PoE-10 Single-port Power over Ethernet Injector is designed for use with 10/100 BaseT Ethernet networks. The PoE-10 supplies DC power by injecting electricity through the unused twisted-wires (pairs 4/5 and 7/8) in a standard 8-pin CAT 5 cable. The PoE-10 provides a cost-effective power solution for a small-site deployment by supplying power directly to Access Points from a central location.

PoE-80

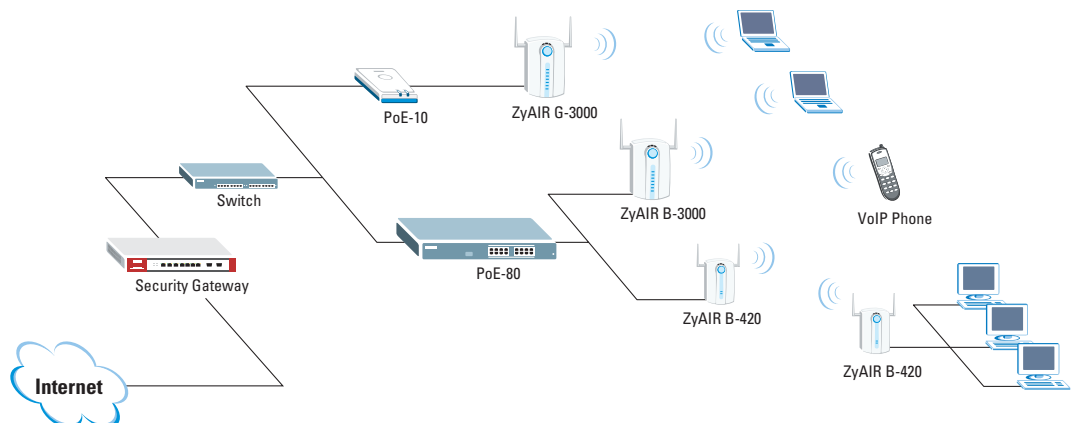
8-port Power over Ethernet Hub

The ZyXEL PoE-80 8-port Power over Ethernet Hub installs conveniently in your wiring closet rack. The form factor requires minimal space and fits easily onto a standard size rack. The PoE-80 automatically detects Power-over-Ethernet enabled Access Points and supplies in-line power for up to eight APs through its easy-to-access interface on the front panel.

Benefits

- Ensures uninterrupted network operation by providing a "power safe" path to the user
- Intelligent detection process to detect Power over Ethernet enabled terminals
- Furnishes easy and cost-effective installation with fewer cables and outlets
- Provides one central secure location for power

Application Diagram



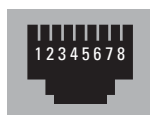
PoE-10 Single-port Power over Ethernet Injector

PoE-80 8-port Power over Ethernet Hub

Specifications

Item	PoE-10	PoE-80
Technical Specification		
Compatibility	Compatible with certain ZyXEL PoE-enabled devices	--
Standards	--	IEEE 802.3af
Management	--	Microsoft Windows-based application for power management
Power Management Functions	--	<ul style="list-style-type: none"> • Current ports serviced list • System total serviced power budget • Power port disable/ enable • Power support priority • Power overload auto shut down • Power port operation status • Power consumption limit
Hardware Specification		
LEDs	<ul style="list-style-type: none"> • 1: PWR • 1: LNK 	<ul style="list-style-type: none"> • System: Power • Per Port (2 LEDs): Power Forwarding, Power Off
Ports	<ul style="list-style-type: none"> • 1 DATA RJ-45 Ethernet port • 1 PWR&DATA PoE injector RJ-45 Ethernet port 	<ul style="list-style-type: none"> • 8 DATA IN RJ-45 Ethernet ports • 8 DATA OUT PoE injector RJ-45 Ethernet ports • 1 RS-232 console port
Physical Specification		
Weight	101g	2.7kg
Dimensions	74(L) x 102(D) x 30(H) mm	440(L) x 224(D) x 44(H) mm (19" in width rack mountable)
Power Requirement		
Power Output	15.4 Watts maximum	-48V DC, 100 Watts maximum Current (per port maximum): 350mA @ 48V DC
Power Output Current	350 mA maximum	
Power Supply	<ul style="list-style-type: none"> • Input: 100 ~ 240V AC, 50/60Hz • Output: 48V .5A 	100 ~ 240V AC, 50/60Hz internal universal power supply with fuse and power switch
Power Consumption	20 Watts maximum	130 Watts maximum
Operation Environment		
Operating Temperature	5 ~ 50°C (41 ~ 122°F)	0 ~ 45°C (32 ~ 104°F)
Operational Humidity	10% - 90%	10% to 95% (Non-condensing)
Certification		
EMI and Safety	FCC Class B, CE, CSA	FCC Class A, CE, UL, cUL

RJ-45 Port Pin Assignments



PIN NO	RJ-45 SIGNAL ASSIGNMENT
1	Output Transmit Data +
2	Output Transmit Data -
3	Receive Data +
4	Power +
5	Power +
6	Receive Data -
7	Power -
8	Power -



Corporate Headquarters
ZyXEL Communications Corp.
 Tel: +886-3-578-3942
 Fax: +886-3-578-2439
 Email: sales@zyxel.com.tw
 http://www.zyxel.com
 http://www.zyxel.com.tw

Denmark
 Tel: +45 39 55 07 00 Fax: +45 39 55 07 07
 Email: sales@zyxel.dk
 http://www.zyxel.dk

Finland
 Tel: +358-9-4780 8400 Fax: +358-9-4780 8448
 Email: sales@zyxel.fi
 http://www.zyxel.fi

France
 Tel: +33 (0)4 72 52 97 97 Fax: +33 (0)4 72 52 19 20
 Email: info@zyxel.fr
 http://www.zyxel.fr

Germany
 Tel: +49 2405 6909 0 Fax: +49 2405 6909 99
 Email: sales@zyxel.de
 http://www.zyxel.de

North America
 Tel: +1-800-255-4101, +1-714-632-0882
 Fax: +1-714-632-0858
 Email: sales@zyxel.com
 http://www.us.zyxel.com

Norway
 Tel: +47 22 80 61 80 Fax: +47 22 80 61 81
 Email: sales@zyxel.no
 http://www.zyxel.no

Spain
 Tel: +34 902 195 420 Fax: +34 913 005 345
 Email: sales@zyxel.es
 http://www.zyxel.es

Sweden
 Tel: +46 31 744 7700 Fax: +46 31 744 7701
 Email: sales@zyxel.se
 http://www.zyxel.se